

MAKEN

Heavy Duty Large Cash Drawer

Make It Happen

INNOVATION QUALITY SERVICE

SK-410

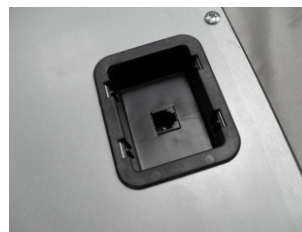
Made of heavy gauge steel, suitable for heavy duty use and prolonged operational life, the ideal choice for reliability and perfect platform for any EPOS terminal. Adjustable and removable 4/5/6/8-note and 8-coin Cash tray with metal wire grippers, making it worldwide compatible.



Industrial grade steel
ball-bearing slides



Easy access
interface location



Durable Metal Wire Gripper Bill Holder
Tested over one million operations

Easy and comfortable operation.
Human Engineering Design

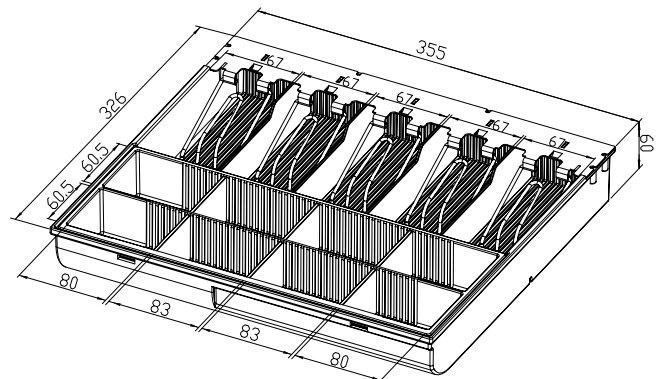
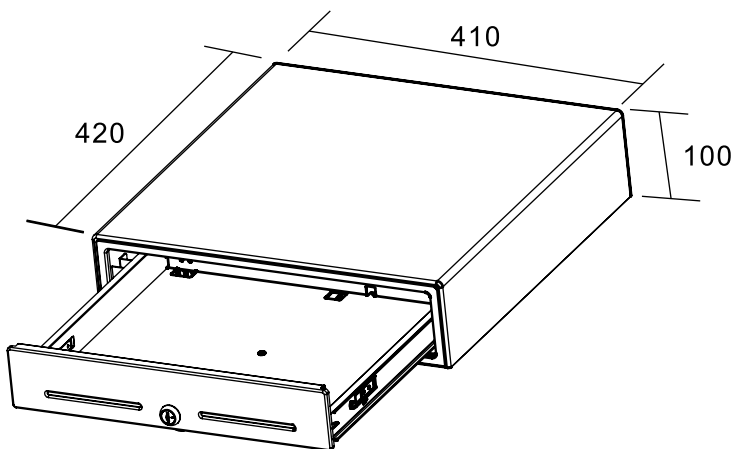
Removable and adjustable cash tray

SK-410 Series Specifications

MODEL NUMBER	SK-410
PHYSICAL	
Dimension	410(W)x420(D)x100(H)mm
Construction	Thick gauge cold rolled steel & SECC
Finish	Textured hybrid powder coat
Color	Black, Beige and Custom type
Slide	Ball bearing slide for smooth & stable operation
CASH TRAY (INSERT)	
Construction	Shatter-resistant plastic
Currency Layout	4/5/6/8-Bill with Metal Metal wire grips, 8 Adjustable Coin Slots
Media Slots	2
OPERATION	
Drawer Lock	3-Position lock / 4-Functions: locked open/closed, manual open, electronically driven
Interface	RJ11, RJ12, USB, RS232, DC Φ 2.5 /3.5 Jack, custom type
Lifecycle	MTBF 1,000,000 times +
Micro Switch	Cash Drawer Status Micro Switch

OPTION	ACCESSORIES	
	Part Number	Description
Micro-switch		
Stainless Steel Front	Tray-4148 Tray-4158 Tray-4168 Tray-4188	Cash Tray
Cash tray with different currency layout	Bracket-41458	Under Mounting brackets
Different color	DT-100U	USB Trigger
Different interfaces	DT-100RS	Serial Interface Trigger

Packing Details			
Models	Net Weight(kg)	Gross Weight(kg)	Carton Size(cm)
SK-410	8.20	9.20	47.0 x 48.0 x 17.0



Xiamen Maken Tech Co., Ltd.

No.77,Huli Industrial Zone,Xike,
Tong' an District,Xiamen 361100
Fujian China

Tel: +86-592-5768733
Fax: +86-592-5768735
www.maken.com.cn
E-mail: export@maken.com.cn

Specifications are subjected to change without notice.

